



# Trailer & Truck Bed Installation Instructions

**Corporate**

7941 Katy Frwy #505  
Houston, TX 77024

**Manufacturing**

621 W. Division  
Muenster, TX 76252

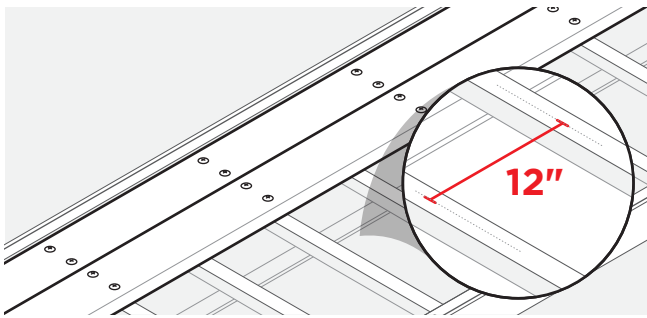
1-877-Rumber1

Rumber.com  
info@rumber.com

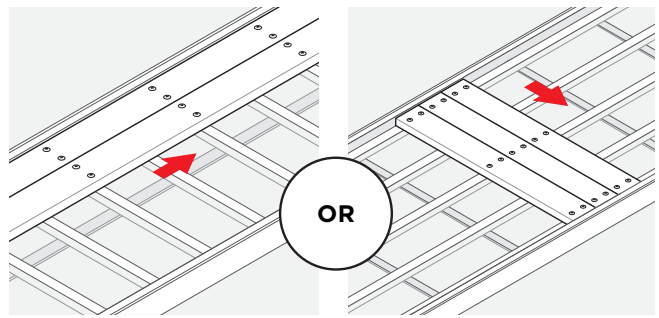
# Livestock Trailer Installation Instructions

Commonly used Rumber boards for livestock trailers are **9102, 9104, and 9108.**

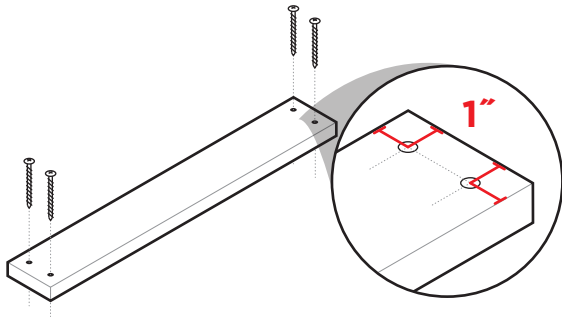
- 1** Rumber boards require a maximum of **12" centers.** Measure from center of cross member to center of cross member to get correct center distance.



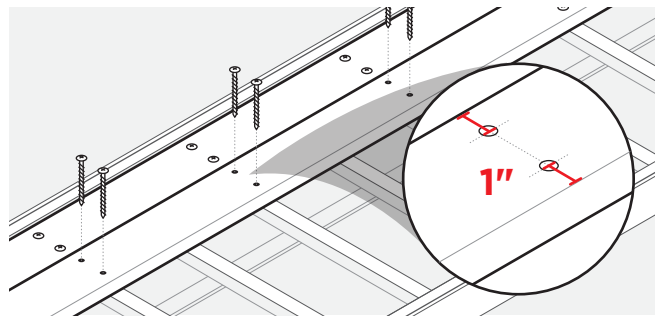
- 2** Rumber flooring may be mounted either **perpendicular** or **parallel** to the long axis of the trailer. If using tongue & groove, make sure it's tightly engaged.



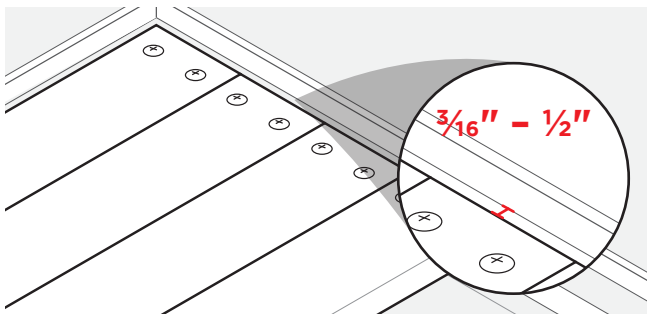
- 3** With a **7/32" bit**, drill 2 pilot holes in each end of the board **1" from each edge.** Install using **12-24 x 2-1/4" self-tapping screws.** Countersink all screws.



- 4** Drill 2 pilot holes and insert 2 screws in each cross member **1" from edge** or at a maximum of every other cross member. Countersink all screws.



- 5** It is very important to **leave a gap of 3/16" - 1/2"** at each end of the frame to allow for thermal expansion.



Still need help?

Call us at

**1-877-RUMBER1**

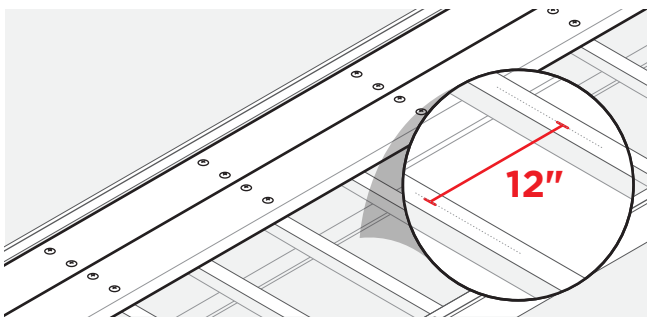
(1-877-786-2371)



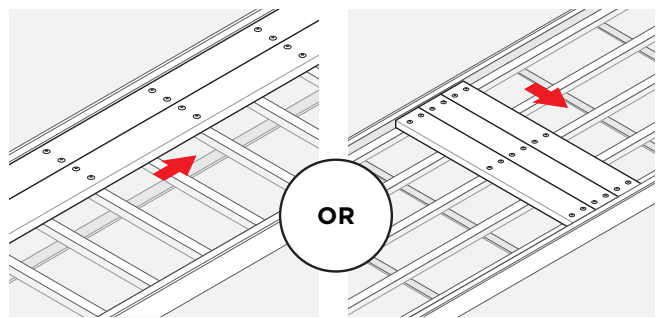
# Livestock Cleated Floor Trailer Installation Instructions

Commonly used Rumber boards for livestock cleated floor trailers are **9408**.

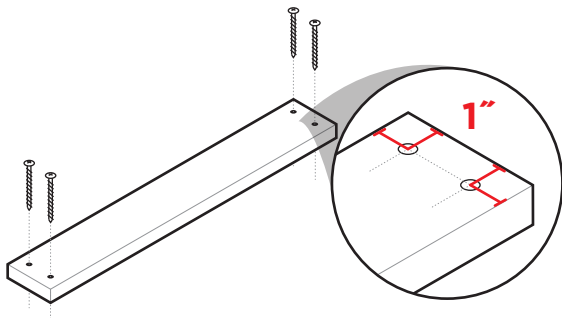
- 1** Rumber boards require a maximum of **12" centers**. Measure from center of cross member to center of cross member to get correct center distance.



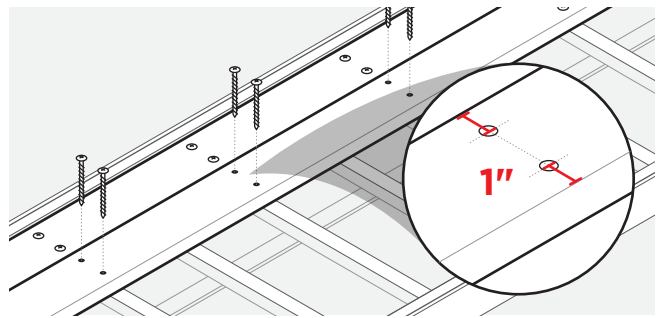
- 2** Rumber flooring may be mounted either **perpendicular** or **parallel** to the long axis of the trailer. If using tongue & groove, make sure it's tightly engaged.



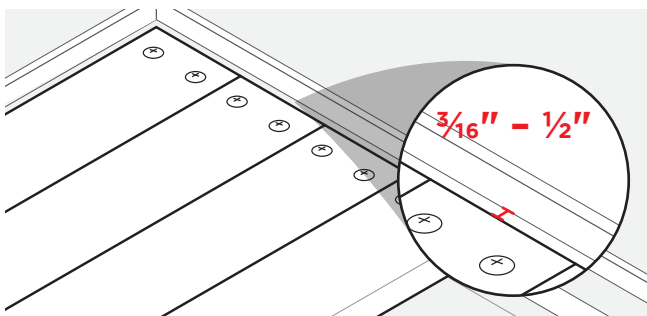
- 3** With a **7/32" bit**, drill 2 pilot holes in each end of the board **1" from each edge**. Install using **12-24 x 2-1/4" self-tapping screws**. Countersink all screws.



- 4** Drill 2 pilot holes and insert 2 screws in each cross member **1" from edge** or at a maximum of every other cross member. Countersink all screws.



- 5** It is very important to **leave a gap of 3/16" - 1/2"** at each end of the frame to allow for thermal expansion.



Still need help?

Call us at

**1-877-RUMBER1**

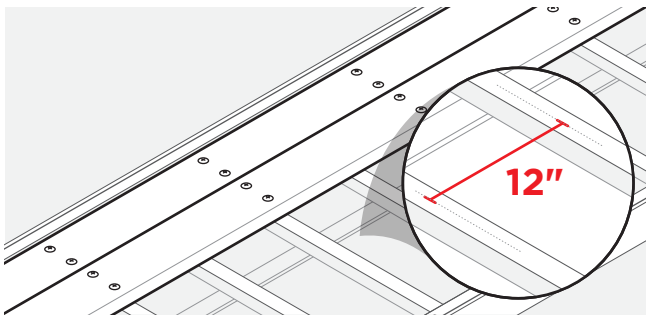
(1-877-786-2371)



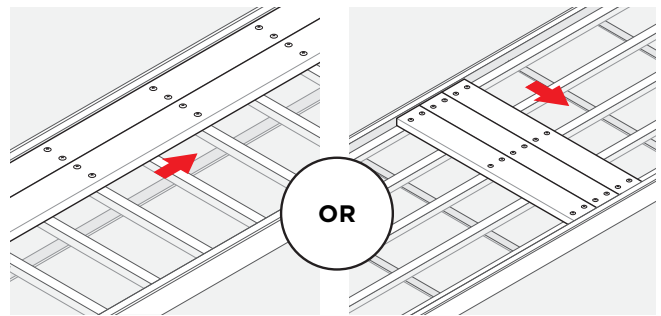
# Horse Trailer Installation Instructions

Commonly used Rumber boards for horse trailers are **9102**.

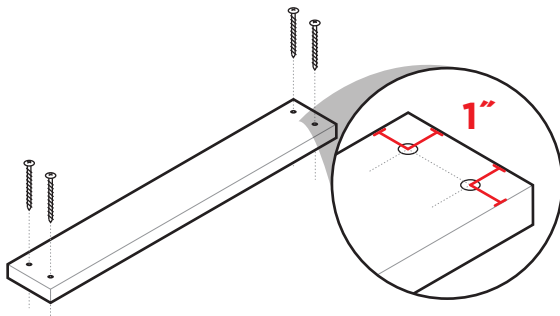
- 1** Rumber boards require a maximum of **12" centers**. Measure from center of cross member to center of cross member to get correct center distance.



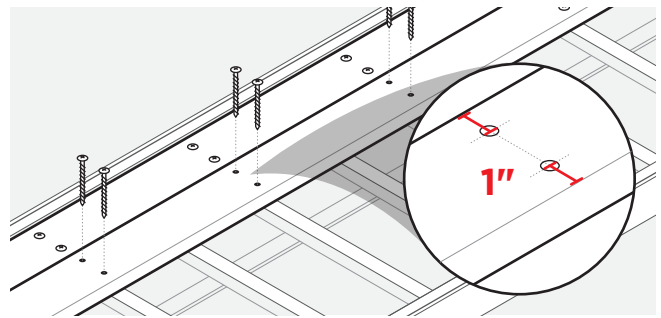
- 2** Rumber flooring may be mounted either **perpendicular** or **parallel** to the long axis of the trailer. If using tongue & groove, make sure it's tightly engaged.



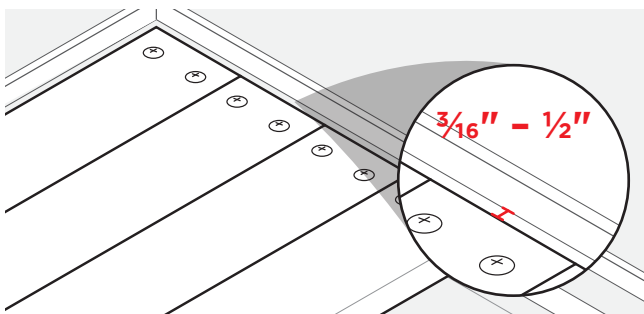
- 3** With a **7/32" bit**, drill 2 pilot holes in each end of the board **1" from each edge**. Install using **12-24 x 2-1/4" self-tapping screws**. Countersink all screws.



- 4** Drill 2 pilot holes and insert 2 screws in each cross member **1" from edge** or at a maximum of every other cross member. Countersink all screws.



- 5** It is very important to **leave a gap of 3/16" - 1/2"** at each end of the frame to allow for thermal expansion.



Still need help?

Call us at

**1-877-RUMBER1**

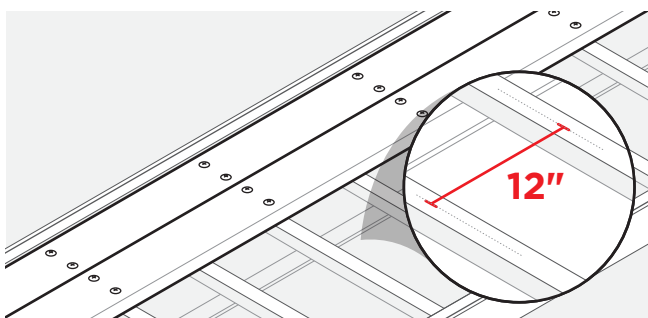
(1-877-786-2371)



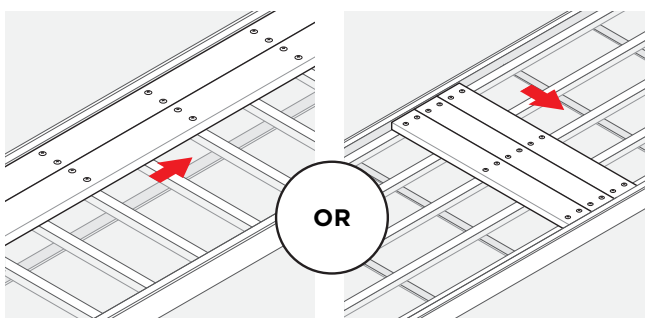
# Utility Trailer Installation Instructions

Commonly used Rumber boards for utility trailers are **9104**, **9402**, **9404**, **9406**, **9410**, and **9412**.

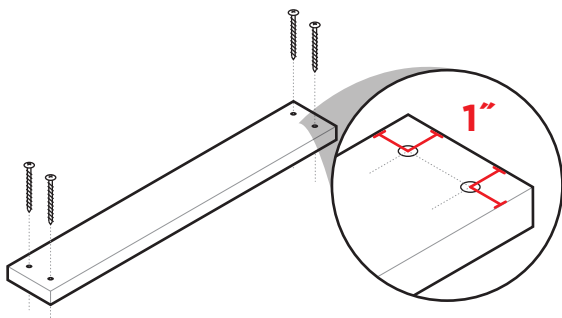
- 1** Rumber boards require a maximum of **12" centers**. Measure from center of cross member to center of cross member to get correct center distance.



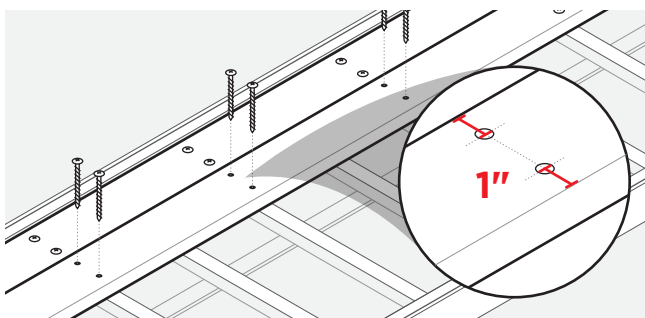
- 2** Rumber flooring may be mounted either **perpendicular** or **parallel** to the long axis of the trailer. If using tongue & groove, make sure it's tightly engaged.



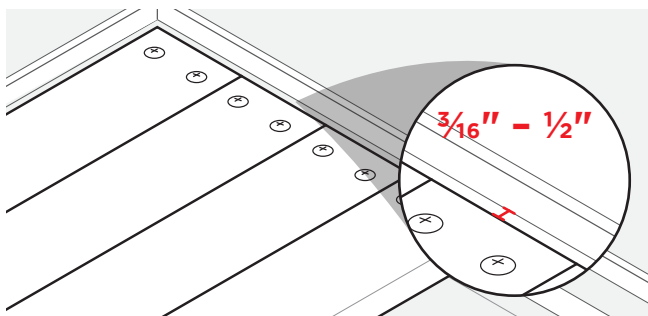
- 3** With a **7/32" bit**, drill 2 pilot holes in each end of the board **1" from each edge**. Install using **12-24 x 2-1/4" self-tapping screws**. Countersink all screws.



- 4** Drill 2 pilot holes and insert 2 screws in each cross member **1" from edge** or at a maximum of every other cross member. Countersink all screws.



- 5** It is very important to **leave a gap of 3/16" - 1/2"** at each end of the frame to allow for thermal expansion.



Still need help?

Call us at

**1-877-RUMBER1**

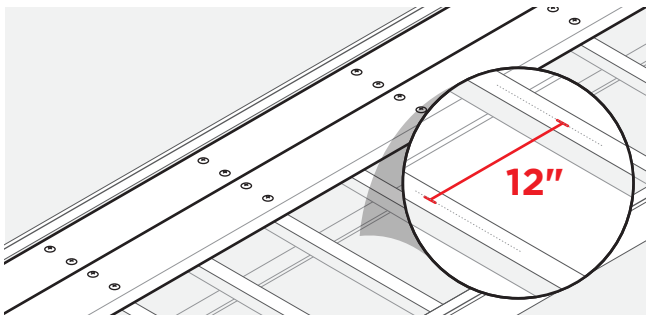
(1-877-786-2371)



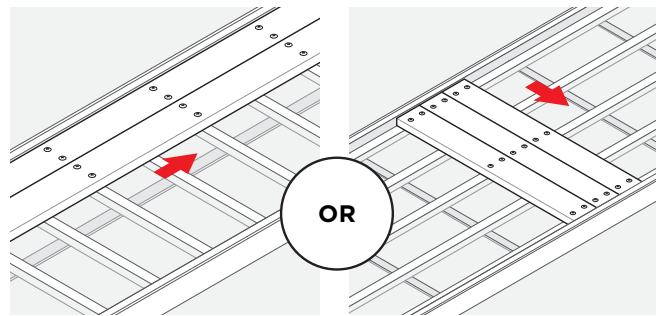
# Heavy Equipment Under 40 Tons Installation Instructions

Commonly used Rumber boards for heavy equipment trailers under 40 tons are **9402, 9404, 9406, 9410, and 9412.**

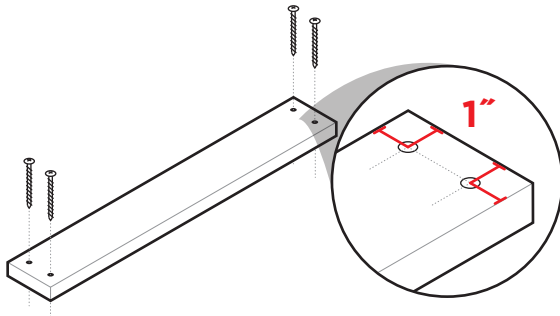
- 1** Rumber boards require a maximum of **12" centers.** Measure from center of cross member to center of cross member to get correct center distance.



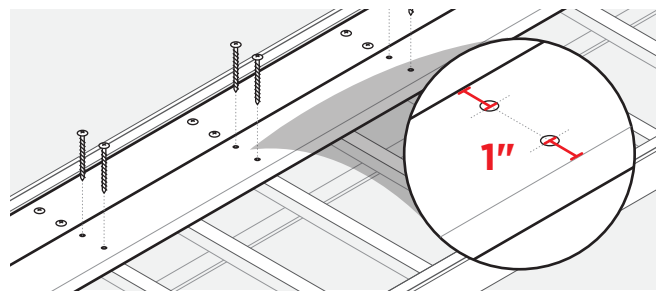
- 2** Rumber flooring may be mounted either **perpendicular** or **parallel** to the long axis of the trailer. If using tongue & groove, make sure it's tightly engaged.



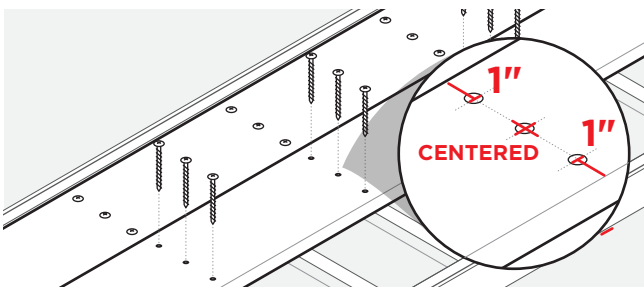
- 3** With a **7/32" bit**, drill 2 pilot holes in each end of the board **1" from each edge.** Install using **12-24 x 2-1/4" self-tapping screws.** Countersink all screws.



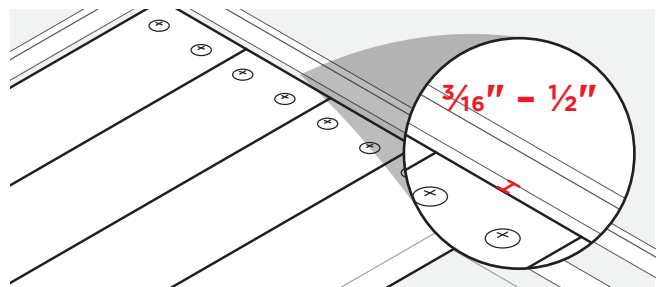
- 4** If using **9402, 9404, or 9406**, drill 2 pilot holes and insert 2 screws in each cross member **1" from edge** or at a maximum of every other cross member. Countersink all screws.



- 5** If using **9410 or 9412**, drill 3 pilot holes and insert 3 screws at a maximum of every other cross member. 2 screws will be **1" from edge** and 1 will be **centered.** Countersink all screws.



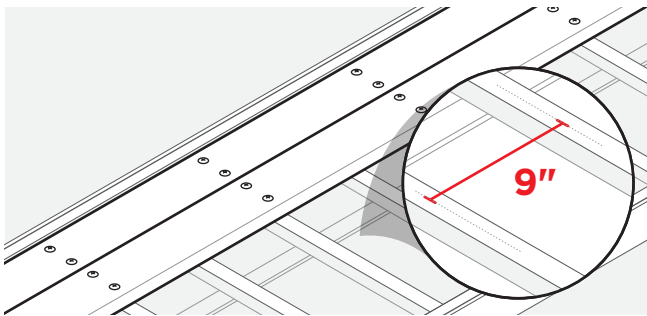
- 6** It is very important to **leave a gap of 3/16" - 1/2"** at each end of the frame to allow for thermal expansion.



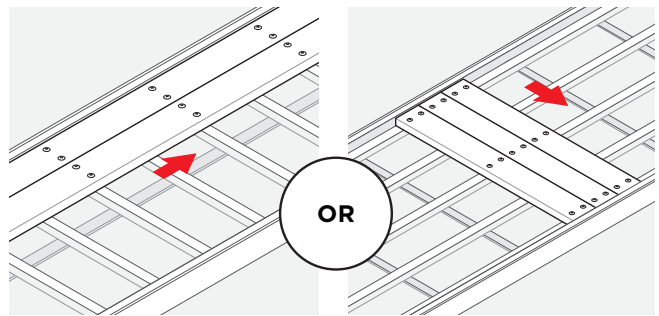
# Heavy Equipment 40 Tons & Over Installation Instructions

Commonly used Rumber boards for heavy equipment trailers  
40 tons & over are **9402, 9404, 9406, 9410, and 9412.**

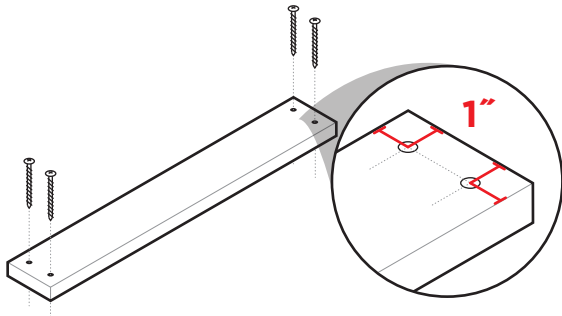
- 1** Rumber boards require a maximum of **9" centers.** Measure from center of cross member to center of cross member to get correct center distance.



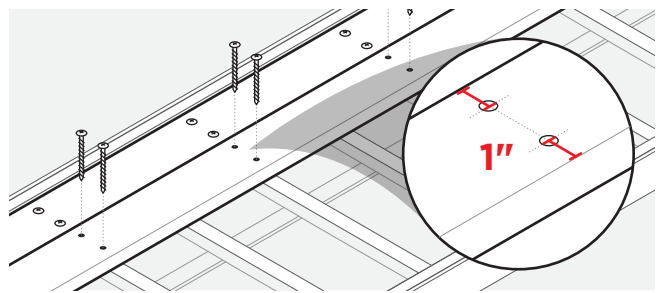
- 2** Rumber flooring may be mounted either **perpendicular** or **parallel** to the long axis of the trailer. If using tongue & groove, make sure it's tightly engaged.



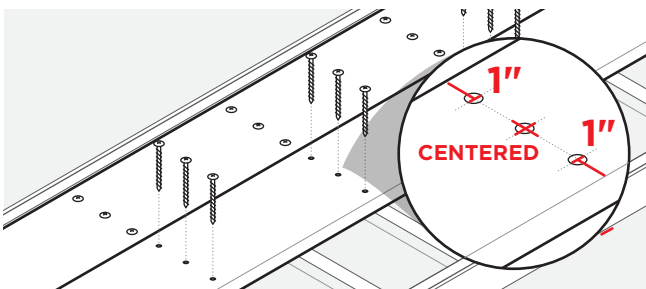
- 3** With a **7/32" bit**, drill 2 pilot holes in each end of the board **1" from each edge.** Install using **12-24 x 2-1/4" self-tapping screws.** Countersink all screws.



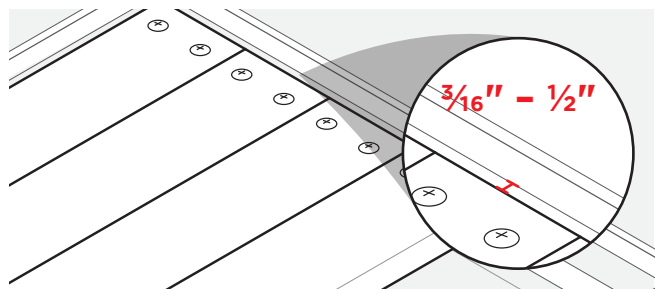
- 4** If using **9402, 9404, or 9406**, drill 2 pilot holes and insert 2 screws in each cross member **1" from edge** or at a maximum of every other cross member. Countersink all screws.



- 5** If using **9410 or 9412**, drill 3 pilot holes and insert 3 screws at a maximum of every other cross member. 2 screws will be **1" from edge** and 1 will be **centered.** Countersink all screws.



- 6** It is very important to **leave a gap of 3/16" - 1/2"** at each end of the frame to allow for thermal expansion.

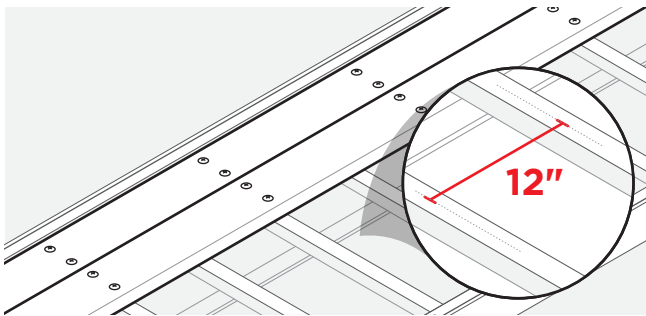




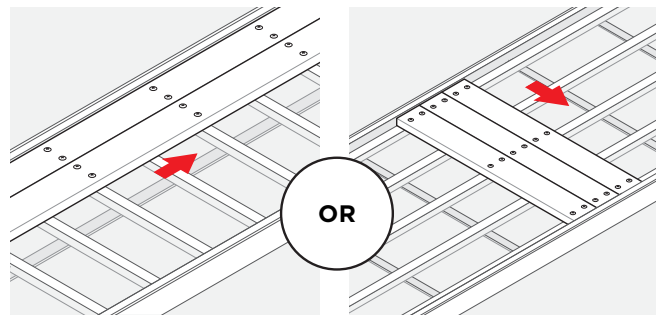
# Truck Bed Installation Instructions

Commonly used Rumber boards for truck beds are **9102** and **9104**.

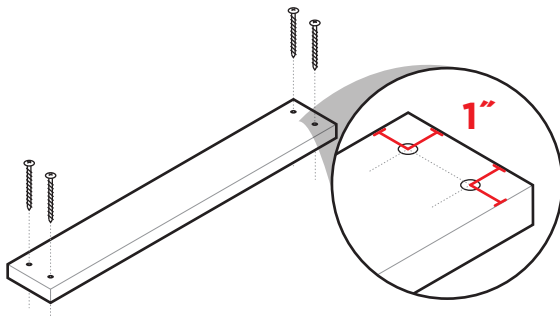
- 1** Rumber boards require a maximum of **12" centers**. Measure from center of cross member to center of cross member to get correct center distance.



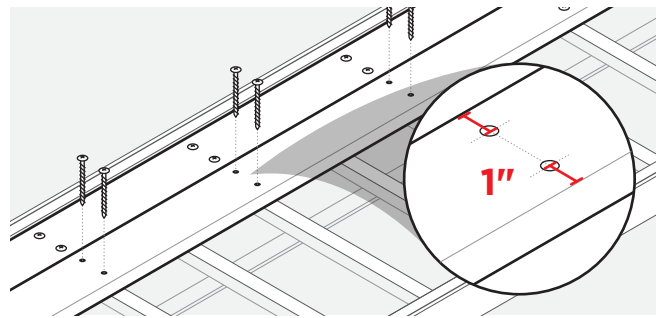
- 2** Rumber flooring may be mounted either **perpendicular** or **parallel** to the long axis of the trailer. If using tongue & groove, make sure it's tightly engaged.



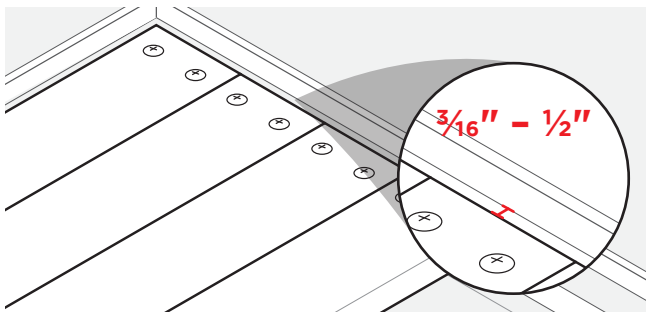
- 3** With a **7/32" bit**, drill 2 pilot holes in each end of the board **1" from each edge**. Install using **12-24 x 2-1/4" self-tapping screws**. Countersink all screws.



- 4** Drill 2 pilot holes and insert 2 screws in each cross member **1" from edge** or at a maximum of every other cross member. Countersink all screws.



- 5** It is very important to **leave a gap of 3/16" - 1/2"** at each end of the frame to allow for thermal expansion.



Still need help?

Call us at

**1-877-RUMBER1**

(1-877-786-2371)

